



CABLEMASTER™ ACCESSORIES

**Accessories to aid in the installation
of your Cablemaster™**

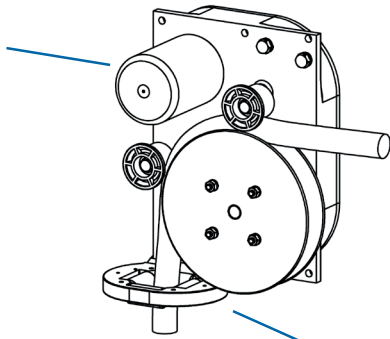


CABLEMASTER™

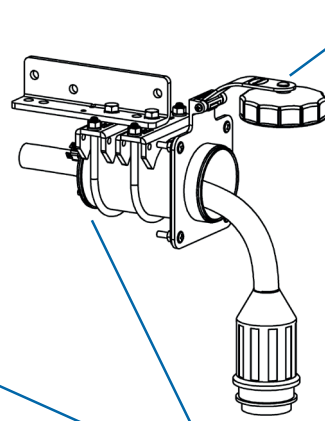
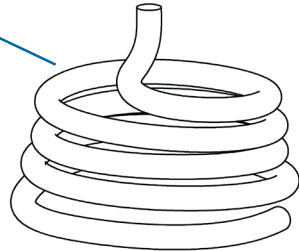
Components

Cablemaster™ Components

Power Unit - the Power Unit provides the force necessary to extend or retract the cable. The Power Unit includes the drive motor, reduction gearing, guide roller assemblies, limit switches and relay assembly.



Cable Storage Space - the Cable Storage Space may be built into the area below the Power Unit or a 'cable storage container' can be supplied with the Cablemaster unit.

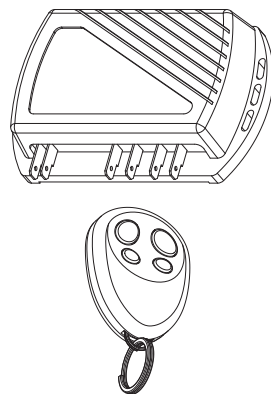


Hawse Pipe Assembly - the stainless steel Hawse pipe assembly performs two functions: 1) it provides a water-tight (IP67) barrier when the cable is fully retracted, and 2) it stores the shore power cable plug.

In & Out-Limit Switches - Automatically stops the Cablemaster™ when the plug enters the Hawse pipe and when the cable is fully payed out.

Optional Components

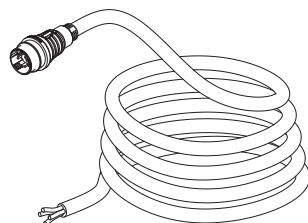
Radio Remote Control - Want more convenience? Add the optional Radio Remote Control accessory to the Cablemaster™. The Radio Remote Control will enable you to simplify one-person operation from a distance up to 75ft. Easily retrofitted to existing installations, the Radio Remote can accommodate one or two Cablemaster™ systems.



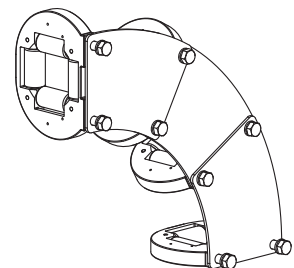
Cable Storage - Styrene cable storage containers keep the cable from cluttering up your storage space. Available in various diameters and heights depending on space requirements.



Power Cable - Longer power cord lengths available upon request. The outer cable jacket color is available in either white or yellow.



Extensions / Angling Assemblies - Horizontal and vertical extensions help in the remote mounting of the power unit. Angling assemblies and the coil spring assembly helps your power cable travel properly around corners and bends. See our Cablemaster™ Accessory sheet for more details.



CABLEMASTER™

Installation Tips



General Considerations

- Cablemaster power unit should be mounted directly above the storage container.
- Ensure storage container is large enough to store cable easily (increase height of container rather than diameter for better results).
- Vertical PVC pipe extensions to storage container should be straight (no bends).
- When using PVC pipe, use pipe rollers every 18-24" (40-60 cm) to eliminate friction.
- Use Glendinning 'Angling Assemblies' (not Pipe Elbows) for all complex routings and all applications 50amps and over.
- Coil Guides should only be used where using PVC pipe is not practical and they should never be used between the storage container and power unit.
- Storage container top should be 4-6" (10-15cm) below 'out-limit' switch.
NOTE: If CM7 is installed using a 12" mounting bracket (50407), to maintain this gap a 04070 low profile assembly is required.
- Cable 'out-limit' switch should be centered over container (or at least within 4" (10cm) of center).

Trouble Shooting Guidelines if the Cable is Slipping After Installation

Before removing or adding pulley spacers to increase grip on cable remember:

- Cable should retract and coil into container completely unaided however when being extended it is expected that someone will be required to 'take up the slack'.
- Slipping is usually due to excess 'back pressure' caused by an improperly installed guide roller/coupler system. Ensure that the cable moves freely through the guide roller system.
- The white tension rollers on the Cablemaster™ power unit should be able to be turned by hand (be sure to disconnect power before testing). If this is not possible then the pressure on the cable is too great. Relieve pressure by adding spacers to pulley and check for other back pressure issues along the guide roller assembly.

Commissioning Check After Installation

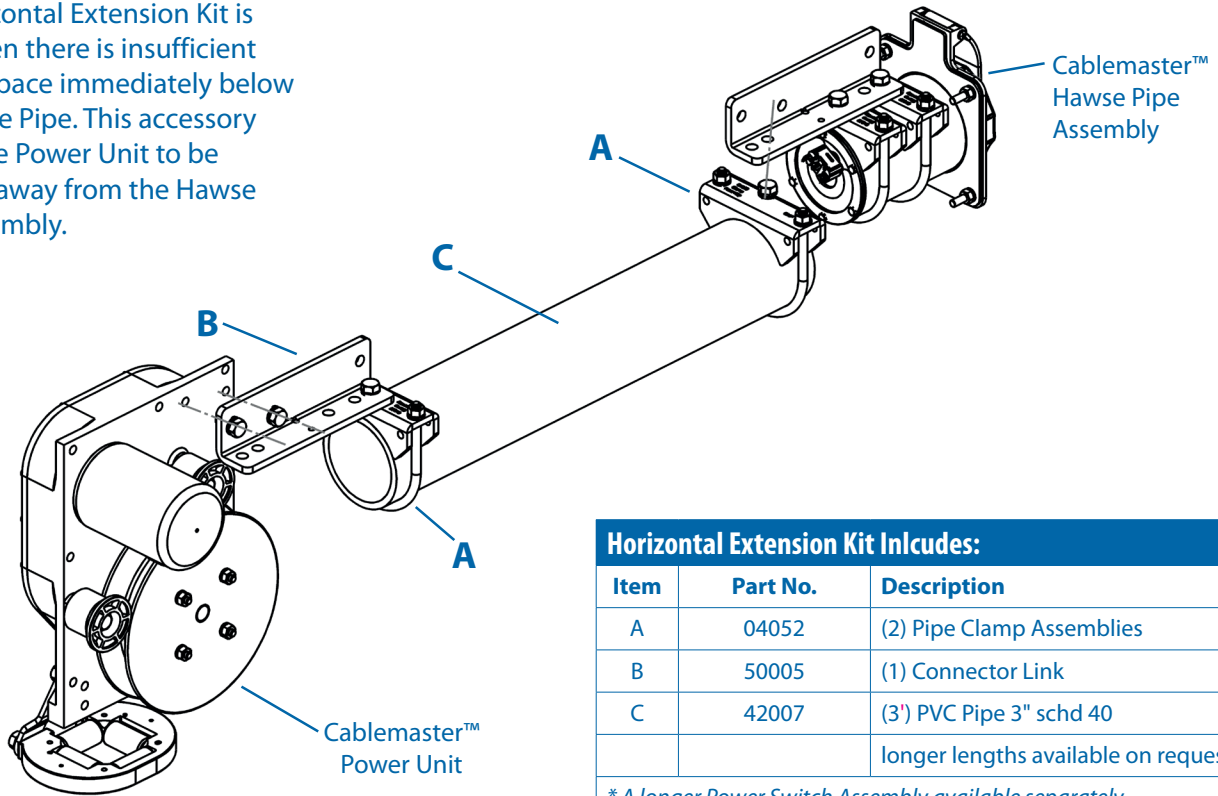
Check average current loads are within guidelines during operation (cycle 3 times):

- CM4 (12v 4-6amps / 24v 3-4amps)
- CM7 (12v 8-10amps / 24v 5-6 amps)
- CM8 & CM9 (24v 5-7amps)

Note: Although occasional amperage spikes are acceptable, any extended periods of high loads may result in damage to gears or motor failure.

HORIZONTAL EXTENSION KIT (Part Number: 04043)

The Horizontal Extension Kit is used when there is insufficient storage space immediately below the Hawse Pipe. This accessory allows the Power Unit to be installed away from the Hawse Pipe Assembly.



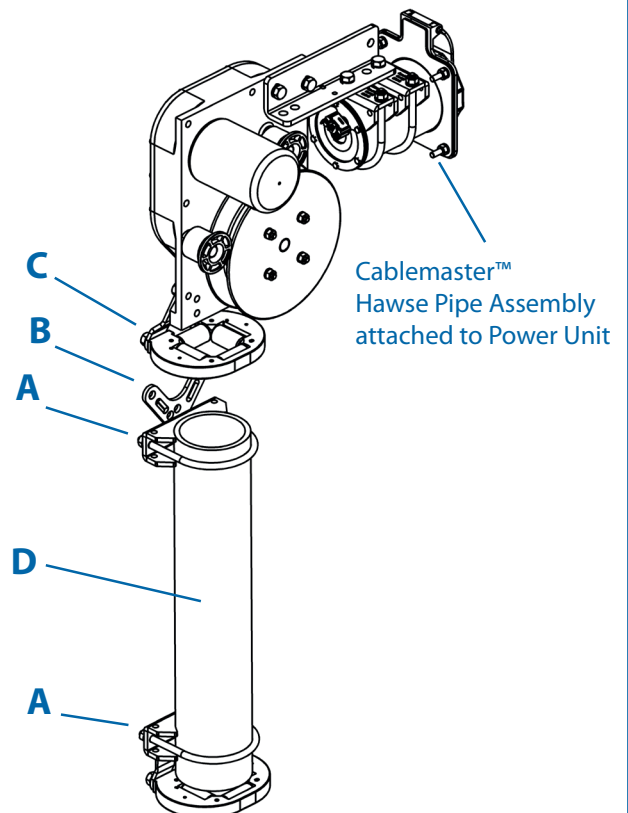
Horizontal Extension Kit Includes:

Item	Part No.	Description
A	04052	(2) Pipe Clamp Assemblies
B	50005	(1) Connector Link
C	42007	(3') PVC Pipe 3" schd 40
		longer lengths available on request

* A longer Power Switch Assembly available separately

VERTICAL EXTENSION KIT (Part Number: 04044)

The Vertical Extension Kit is recommended when the vertical distance between the Power Unit and the top of the storage space (or container) is too great. Using this kit helps prevent the power cable from spilling out of the storage space.



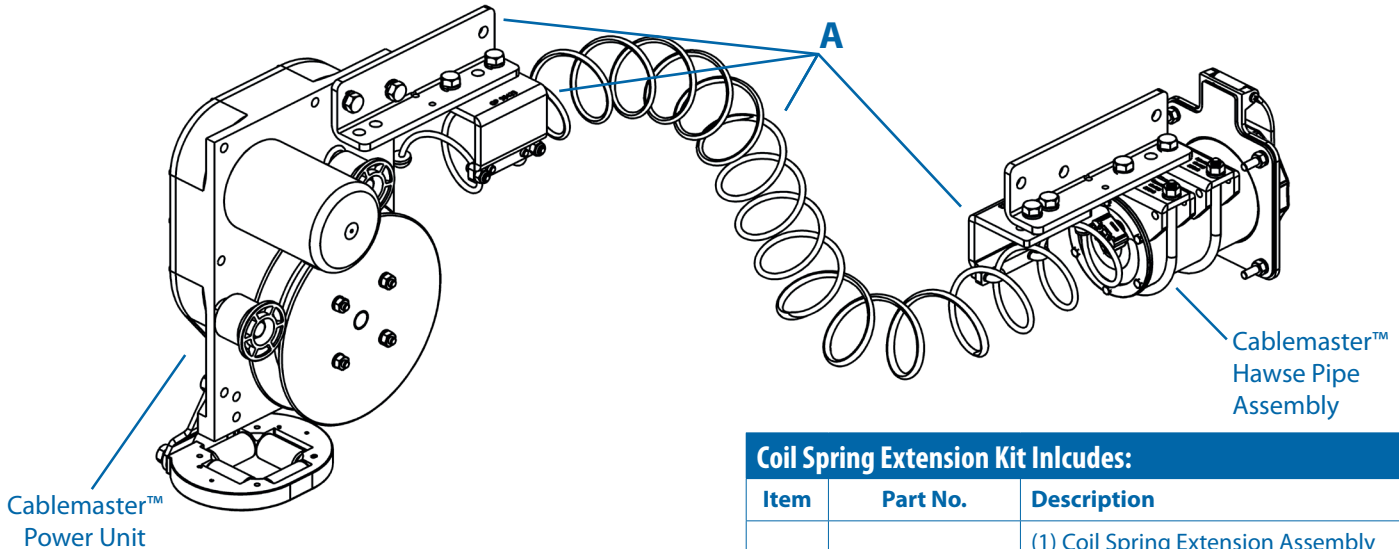
Vertical Extension Kit Includes:

Item	Part No.	Description
A	04052	(2) Pipe Clamp Assemblies
B	50004	(1) Pipe Extension Plate
C	04054	(1) Guide Roller Assembly
D	42007	(3') PVC Pipe 3" schd 40
		longer lengths available on request

* A longer Power Switch Assembly available separately

COIL SPRING EXTENSION KIT (Part Number: 04075)

The Coil Spring Extension allows the installer to direct the power cable around obstructions. The Coil Spring Extension may be installed in a horizontal arrangement (pictured).



Coil Spring Extension Kit Includes:

Item	Part No.	Description
A	04075	(1) Coil Spring Extension Assembly Includes: (2) 50423 Brackets (1) 50005 Connector Link

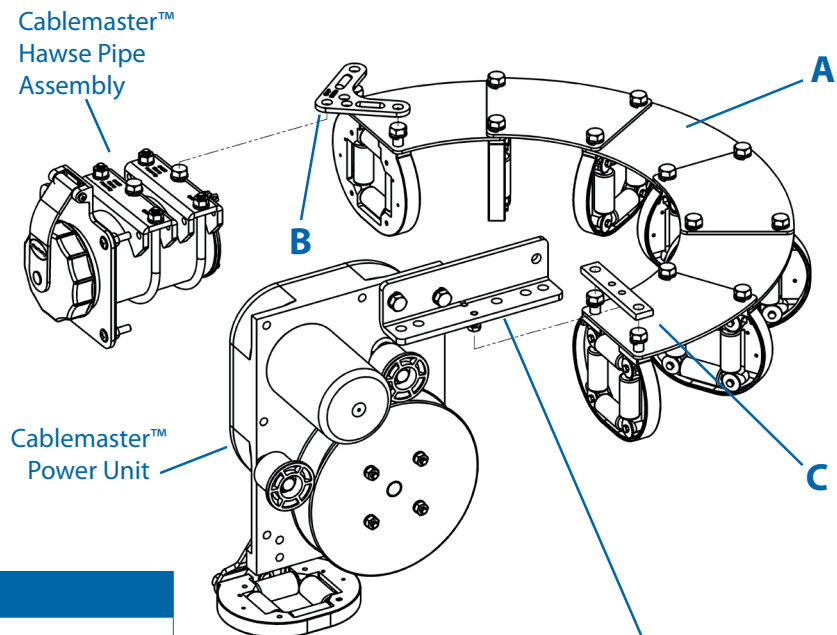
Note: Maximum recommended length 36". Coil Spring Extension available for 16/30/32 amp & 50/63 amp applications only.

ANGLING ASSEMBLIES (Part Number: 04062 - 04067)

Angling Assemblies allow the installer to mount the Power Unit and store the shore power cable in an area never thought possible before.

Various roller assemblies help the cable change direction without undo friction and drag on the Power Unit. Roller assemblies are highly recommended to make bends and the use of pipe elbows is discouraged.

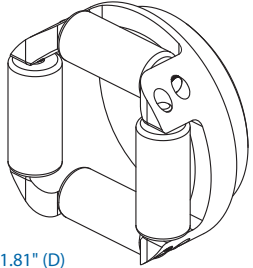
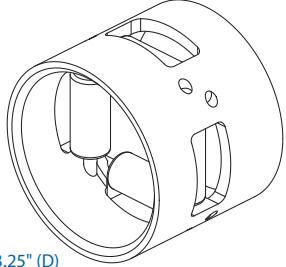
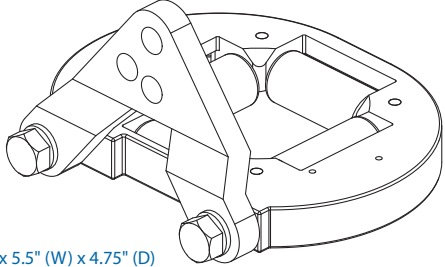
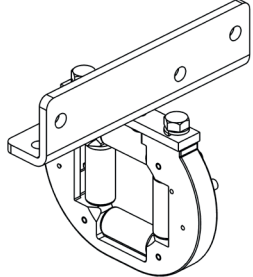
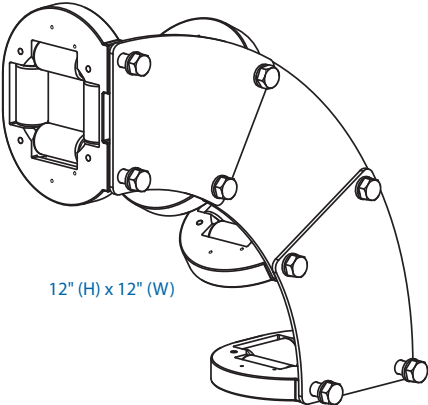
Angling Assemblies are available in 30° increments up to 180° (shown).

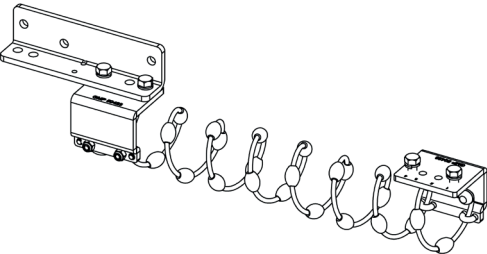
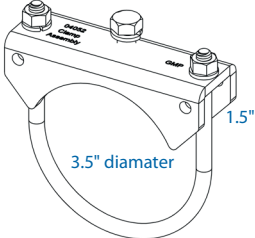
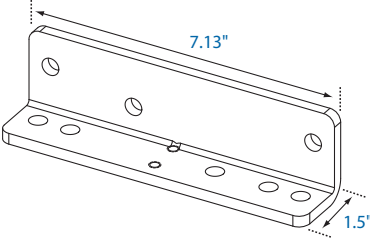
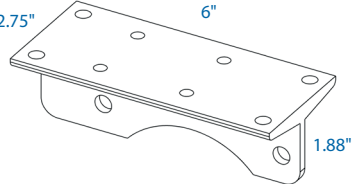
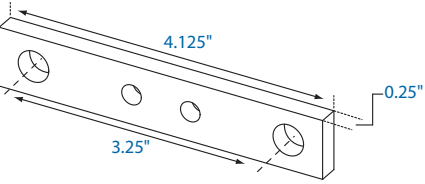
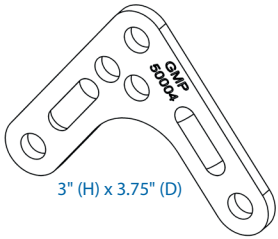


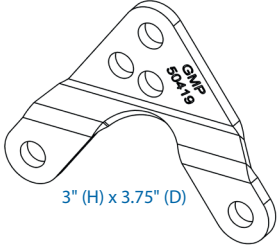
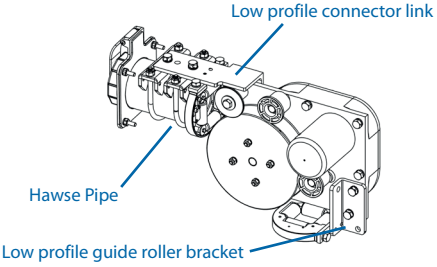
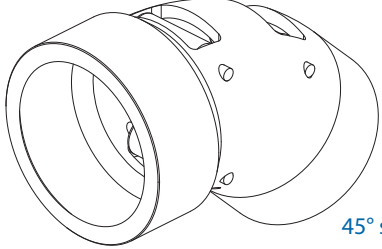
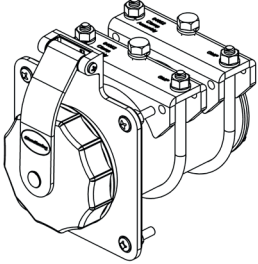
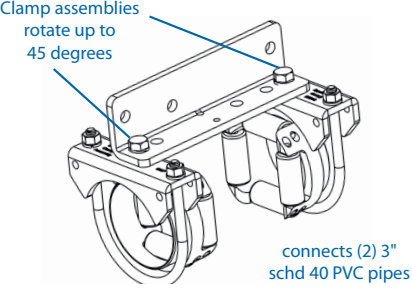
Angling Assembly Kit Includes:

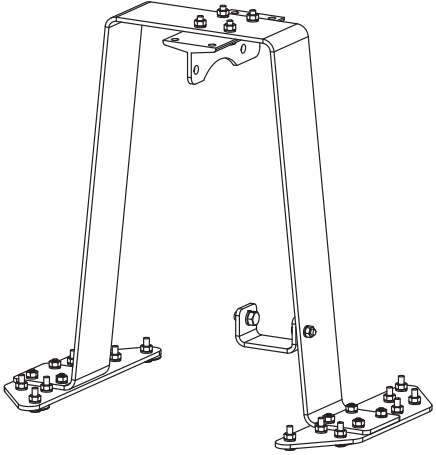
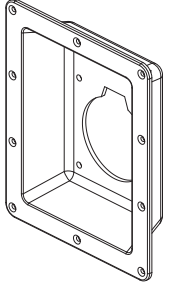
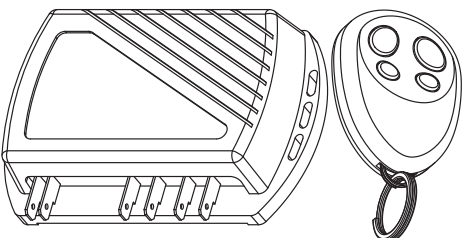
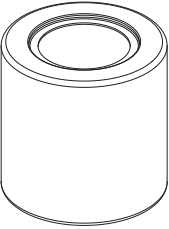
Item	Part No.	Description
A	04065	(1) 180° Angling Assembly
Will also require additional accessories (see below):		
B	50004	(1) Pipe Extension Plate
C	50426	(1) In-Limit Plate

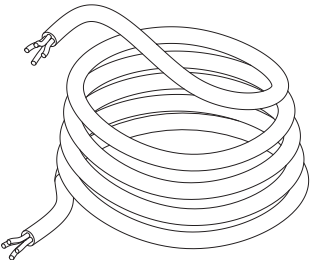
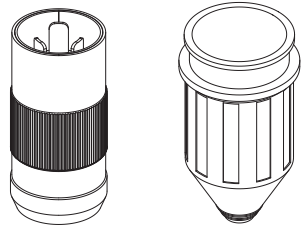
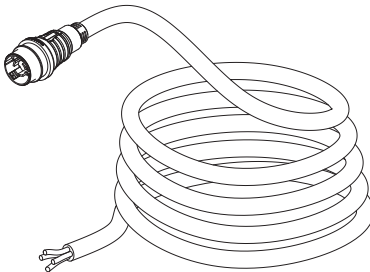
If a short length of pipe is needed between the Connector Link and the Angling Assembly, you will need to order (2) 04052 Pipe Clamp Assemblies, (1) 50004 Plate and the 42007 3" Pipe.

Part No.	Description	Dimensions
04040	<p>PIPE END ROLLER ASSEMBLY</p> <ul style="list-style-type: none"> • this keeps the cable from chaffing on the end of the PVC pipe and is highly recommended. • it is glued into the end of 3" schd 40 PVC pipe. <p>Material: PVC Tubing, Nylon Rollers, Stainless Steel Pins</p>	 <p>3.50" (diameter) x 1.81" (D)</p>
04061	<p>STRAIGHT PIPE ROLLER ASSEMBLY</p> <ul style="list-style-type: none"> • used on long pipe runs over 6' to break friction between cable and PVC pipe. • fits 3" schd 40 PVC Pipe. • Recommended to be placed at least every 2' (60cm) on long pipe runs. <p>Material: PVC Tubing, Nylon Rollers, Stainless Steel Pins</p>	 <p>4" (diameter) x 3.25" (D)</p>
04054	<p>GUIDE ROLLER ASSEMBLY (less switches)</p> <ul style="list-style-type: none"> • used to replace the existing Guide Roller / Out-Limit Assembly which is relocated at the end of the pipe when the vertical pipe extension is used. <p>Material: Anodized Cast Aluminum, Stainless Steel Pins, Nylon Rollers</p>	 <p>3" (H) x 5.5" (W) x 4.75" (D)</p>
04047	<p>GUIDE ROLLER IN-LIMIT SWITCH ASSEMBLY</p> <ul style="list-style-type: none"> • normally mounted on back of Hawse pipe. • use with molded 30/50amp power cable assemblies. <p>Material: Anodized Cast Aluminum, Stainless Steel Pins, Nylon Rollers</p>	
04062 04064 04066 04063 04067 04065	<p>ANGLING ASSEMBLIES</p> <p>30° Angling Assembly 60° Angling Assembly 90° Angling Assembly 120° Angling Assembly 150° Angling Assembly 180° Angling Assembly</p> <ul style="list-style-type: none"> • used to direct the cable from 30° - 180° bends. • uses Guide Roller Assemblies mounted on a flat Aluminum plate to direct the cable. <p>NOTE: (2) Pipe Extension Plates (50004) are needed to attach angling assembly to accessory items.</p> <p>Material: PVC Tubing, Nylon Rollers, Stainless Steel Pins</p>	<p>90° assembly shown</p>  <p>12" (H) x 12" (W)</p>

Part No.	Description	Dimensions
04075-30-XX 04075-50-XX	<p>COIL SPRING GUIDE ASSEMBLY</p> <p>30/32 amp Coil Spring 50/63 amp Coil Spring</p> <ul style="list-style-type: none"> • Used when compound bends are required in tight areas • Installed between Power Unit and Hawse pipe. • Available in lengths 18", 24", 30", 36" (46, 61, 76, 91cm). <p>NOTE: Do not use coil spring between Power Unit and Storage area.</p> <p>NOTE: Coil Guide must be straight both where the cable leaves the Power Unit and enters the Hawse pipe. Cable will bind if Coil Guide is off center at these locations.</p> <p>NOTE: Do not use Coil Spring Assembly for any applications larger than 63 amps.</p> <p>(XX = length in inches)</p>	
04052	<p>PIPE CLAMP ASSEMBLY (Single)</p> <ul style="list-style-type: none"> • used in various applications to be able to attach brackets to or clamp on 3" schd 40 PVC pipe. • used in the Pipe to Pipe Angling Assembly. • used in the Horizontal and Vertical Pipe Extension kits. <p>Material: Anodized Aluminum, Stainless Steel U-bolts</p>	
50005	<p>CONNECTOR LINK</p> <ul style="list-style-type: none"> • mounts the Power Unit to the Hawse Pipe Assembly. • one comes standard with each Cablemaster. • used to connect two Pipe Clamp Assemblies together and various other applications. <p>Material: Anodized Extruded Aluminum</p>	
50006	<p>OVERHEAD MOUNTING BRACKET</p> <ul style="list-style-type: none"> • used to mount the Power Unit to the overhead when remote mounting the Power Unit. <p>Material: Anodized Extruded Aluminum</p>	
50426	<p>IN-LIMIT SWITCH PLATE</p> <ul style="list-style-type: none"> • used to connect the Out-Limit Switch Assembly to Connector Link (50005) when an alternate In-Limit Switch Assembly is required. <p>Material: Anodized Extruded Aluminum</p>	
50004	<p>PIPE EXTENSION PLATE</p> <ul style="list-style-type: none"> • used with the Vertical Pipe Extension to attach Pipe Clamp Assembly to the Power Unit. • used with the angling assemblies to guide the cable around bends. <p>Material: Anodized Aluminum</p>	

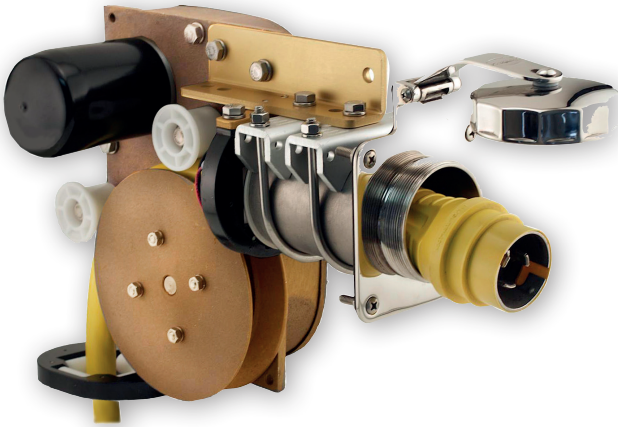
Part No.	Description	Dimensions
50419	<p>GUIDE ROLLER OFFSET PLATE</p> <ul style="list-style-type: none"> used to attach the Out-Limit Switch Assembly to the Power Unit. one comes with each Cablemaster. <p>Material: Anodized Aluminum</p>	 <p>3" (H) x 3.75" (D)</p>
04070	<p>LOW PROFILE BRACKET ASSEMBLY</p> <ul style="list-style-type: none"> used to lower the height required to mount the Cablemaster from 12.5" to 10". motor wire leads are to be reversed when using this assembly. <p>NOTE: Low Profile Roller Kit maybe required (part number WP090). Inquire for more details.</p> <p>Material: Anodized Cast Aluminum</p>	
04059 04060	<p>PIPE ELBOW with ROLLERS - 22.5° PIPE ELBOW with ROLLERS - 45°</p> <ul style="list-style-type: none"> used to direct the cable in a 22.5° or 45° bend. fits 3" schd 40 PVC Pipe. <p>NOTE: Do not use elbows for any angle over 45°.</p> <p>Material: PVC Tubing, Stainless Steel Pins, Nylon Rollers</p>	 <p>45° shown</p>
04050 04055	<p>HAWSE PIPE ASSEMBLY</p> <ul style="list-style-type: none"> used to store the shore power cord plug and prevent moisture from entering hull. includes push button in-limit switch assembly. <p>Material: Anodized Cast Aluminum, Stainless Steel U-bolts, Stainless Steel Hawse Pipe, Flange, and Cap</p> <p>HAWSE PIPE WITH GUIDE ROLLER IN-LIMIT SWITCH ASSEMBLY</p>	
04045	<p>PIPE TO PIPE ANGLING ASSEMBLY</p> <ul style="list-style-type: none"> used with the Vertical Pipe Extension and the Horizontal Pipe Extension for angling the 3" PVC pipe to a desired angle. <p>Components included:</p> <ul style="list-style-type: none"> (2) 04040 Pipe End Roller Assembly (2) 04052 Pipe Clamp Assembly (single) (1) 50005 Connector Link 	 <p>Clamp assemblies rotate up to 45 degrees</p> <p>connects (2) 3" schd 40 PVC pipes</p>

Part No.	Description	Dimensions
50408	<p>POWER UNIT TO CONTAINER MOUNTING BRACKET - 17" HIGH</p> <ul style="list-style-type: none"> used to mount Power Unit to the container for easy Cablemaster installation. Mounting bracket can be attached to all containers we sell. 	
50407	<p>POWER UNIT TO CONTAINER MOUNTING BRACKET - 12" HIGH</p> <ul style="list-style-type: none"> same as above bracket but 12" high. <p>NOTE: Low Profile Assembly will be required for proper installation when using 12" high bracket.</p> <p>NOTE: 12" and 17" container mounting brackets only used for CM-4 and CM-7 applications.</p> <p>Material: Anodized Aluminum</p>	
50413	<p>BEZEL</p> <ul style="list-style-type: none"> used when the Hawse Pipe Cap and Hinge should not protrude from the side of the boat. <p>Material: Anodized Cast Aluminum painted White Gloss</p>	
04155	<p>RADIO REMOTE CONTROL FOR CM PRODUCT Includes two transmitters</p>	
04154	<p>RADIO REMOTE CONTROL FOR CRMA PRODUCT</p> <ul style="list-style-type: none"> 12/24V capable. Includes two transmitters. 	
04153	<p>REMOTE NOISE FILTER</p> <ul style="list-style-type: none"> used to help eliminate 'RF' interference from affecting the performance of the remote control. 	
85424 85420 85421 85425 85480	<p>STYRENE CABLE STORAGE CONTAINERS</p> <p>Dimensions - Storage capacity with 6/4 cable - 1 1/8" dia (29mm)</p> <ul style="list-style-type: none"> 18" dia x 18" H (46 x 46cm) - Up to 60' (18.2m) of cable. 20" dia x 18" H (51 x 46cm) - Up to 75' (22.8m) of cable. 22" dia x 15" H (56 x 38cm) - Up to 75' (22.8m) of cable. 22" dia x 22" H (56 x 56cm) - Up to 110' (33.5m) of cable. 25" dia x 35" H (64 x 89cm) - Up to 100' (30.5 m) of #2/4 cable. 	

Part No.	Description	Dimensions
<p>SHORE POWER CABLE (in bulk)</p> <p>94006 30 amp 125 volt - Yellow Jacket #10/3 94010 30 amp 125 volt - White Jacket #10/3 94004 50amp 125 volt - Yellow Jacket #6/3 94008 50 amp 125 volt - White Jacket #6/3 94023-W 50 amp 125/250 Iso Trans - White Jacket #6/3 94005 50 amp 125/250 volt - Yellow Jacket #6/4 94007 50 amp 125/250 volt - White Jacket #6/4 94013-Y 100 amp 3 ph Iso Trans - Yellow Jacket #2/3 94013-W 100 amp 3 ph Iso Trans - White Jacket #2/3 94014-Y 100 amp 1 ph - Yellow Jacket #2/4 94014-W 100 amp 1 ph - White Jacket #2/4 94024-Y 100 amp 3 ph Iso Trans - Yellow Jacket #2/4 94024-W 100 amp 3 ph Iso Trans - White Jacket #2/4 94017-Y 100 amp 3 ph - Yellow Jacket #2/5 94017-W 100 amp 3 ph - White Jacket #2/5</p>		
<p>SHORE POWER CABLE (in bulk) - EU Models</p> <p>94006-Y100E 32 amp 250 volt - Euro Yellow Jacket 94031-Y 63 amp 250 volt - Euro Yellow Jacket</p>		
<p>SHORE POWER PLUGS AND COVERS</p> <p>99411 30 amp 125v Shore Power Cable plug - 305CRP 99412 30 amp Shore Power Cable plug cover - Yellow 99408 50 amp 125/250v Shore Power Cable plug - 6365CR 99409 50 amp 125v Shore Power Cable plug - 6361CR 99410 50 amp Shore Power Cable plug cover - Yellow 99415 50 amp Shore Power Cable plug cover - White 99423 100 amp 3 Pole 4 Wire Grounding plug 99423-P-W 100 amp 3 Pole 4 Wire plug - White 99424-P 100 amp 3 Pole 5 Wire plug</p>		
<p>SHORE POWER PLUGS AND COVERS - EU Models</p> <p>99438 16 amp 250v 3 Pin plug IP44 99437 32 amp 250v 3 Pin plug IP44 99437-B 32 amp 250v 3 Pin Blue Large IP65 99461-P 63 amp 2 Pole 3 Wire IP67 99439-P 63 amp 3 wire IP65 Twistlock</p>		
<p>SHORE POWER CABLE WITH MOLDED PLUGS</p> <p>04420-W-50 50amp 125/250v Plug End only - 6/4 White 50' (15.2m) 04420-W-75 50amp 125/250v Plug End only - 6/4 White 75' (22.8m) 04420-W-100 50amp 125/250v Plug End only - 6/4 White 100' (30.5m) 04420-Y-50 50amp 125/250v Plug End only - 6/4 Yellow 50' (15.2m) 04420-Y-75 50amp 125/250v Plug End only - 6/4 Yellow 75' (22.8m) 04420-Y-100 50amp 125/250v Plug End only - 6/4 Yellow 100' (30.5m) 04421-W-50 50amp 125/250v IsoTrans Plug End only - 6/3 White 50' (15.2m) 04421-W-75 50amp 125/250v IsoTrans Plug End only - 6/3 White 75' (22.8m) 04421-W-100 50amp 125/250v IsoTrans Plug End only - 6/3 White 100' (30.5m)</p>		

Other Cablemaster™ Products

CABLEMASTER CM - CABLE HANDLING SOLUTIONS



With powered extension, retraction and storage below deck, no limit to cable length and models available to handle cable up to 250amp (or more) - there's a Cablemaster to suit most applications.

Robust marine construction and powerful drive motors (12 or 24v DC) ensure reliable service together with innovative installation options allowing cable storage in areas below deck that otherwise would go unused making the Glendinning Cablemaster the choice of many major boat builders worldwide.

EASY OPERATION - with the simple flip of a switch or by RF optional wireless remote control extend or retract cable as required.

SUITS ALL CABLE SIZES - models available to suit all common applications including 30/50/100/150/200amp+ (US) and 32/63/125/200 amp+ (EU).

EFFICIENT STORAGE - cable automatically coils into a storage container below deck with maximum cable length determined only by size of storage area.

MULTIPLE INSTALLATION OPTIONS - multiple accessories available to allow power units and/or hawse pipes to be mounted remote from the final cable storage position.

TESTED & APPROVED - UL, CSA, ABYC, CE, ISO8846.

CABLEMASTER CR - CABLE HANDLING SOLUTIONS



These self contained 'ready to fit' systems feature an innovative clutch mechanism that allows the storage reel to 'free wheel' making it easy and quick to use - simply pull out whatever length of shore power cable is required, and when its time to retract the cable, press and hold the control switch (supplied) to engage the powerful DC motor (12v or 24v) that will effortlessly retract the cable and re-store it on the reel.

Optional accessories available include a waterproof hawse pipe, RF remote control, and other custom feature sets.

EASY TO USE - Simply pull out the amount of shore power cable you need to make your connection, then when ready push the button and the cable will be retracted and stored on the reel.

'ZERO EFFORT' PULL-OUT FORCE - Our patented drive motor mechanism disengages itself when the cable is extended. No heavy pulling!

COMPACT STORAGE - Stores 50ft of 50amp (USA) or 20m of 63amp (EU) cable in the smallest possible area.

EASY TO INSTALL - Deck, bulkhead or overhead mounting options.

MARINE GRADE DESIGN - The Cablemaster™ product line is specifically designed for the marine environment - built to last! All electrical connections are completely sealed.

For more information visit...

www.glendinningprods.com



Glenninning Products, LLC.

740 Century Circle, Conway, SC 29526-8274

t: +1 (843) 399-6146 | **e:** info@glenninningprods.com | **f:** +1 (843) 399-5005

www.glenninningprods.com

